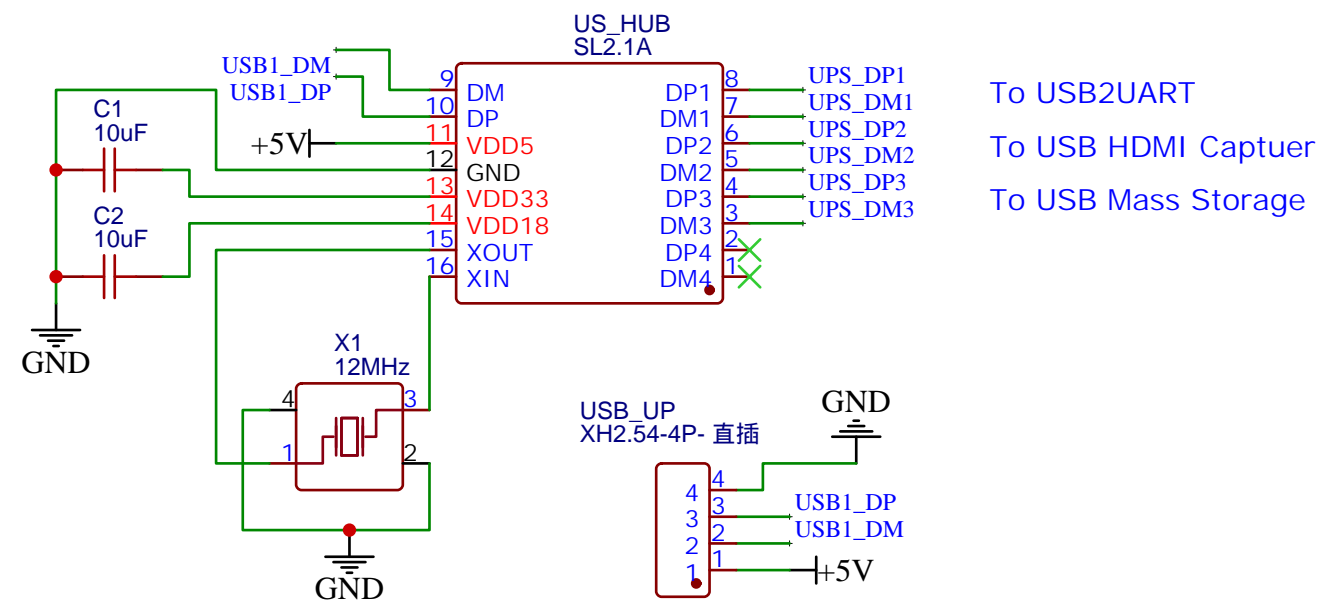
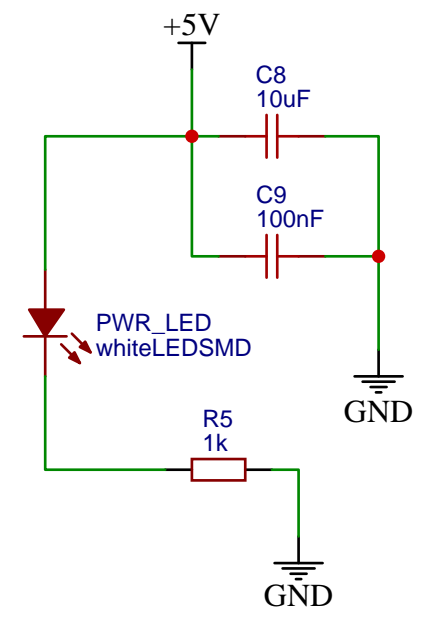


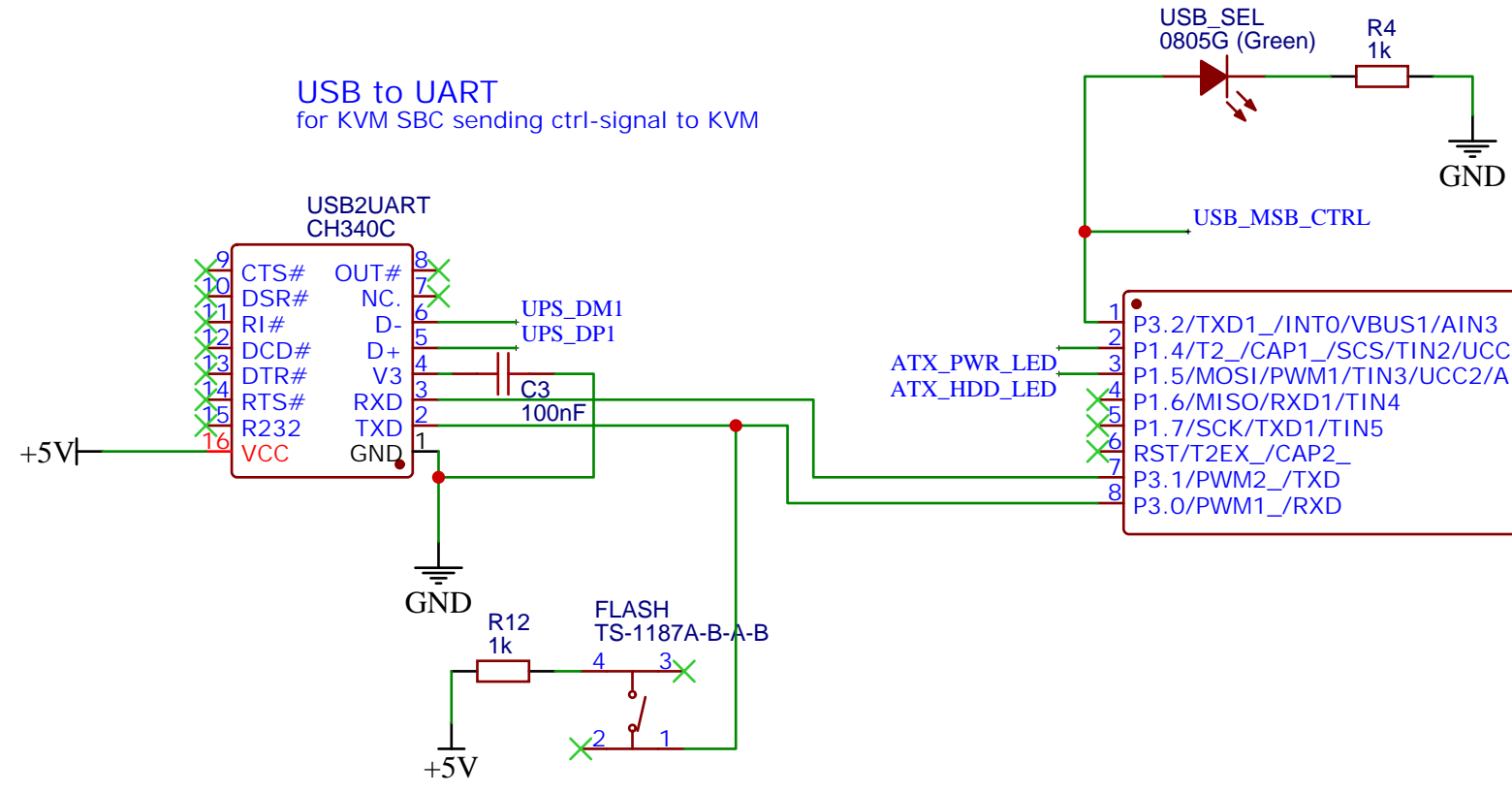
Upstream USB Port
The port connecting to the KVM control SBC (e.g. Orange Pi)



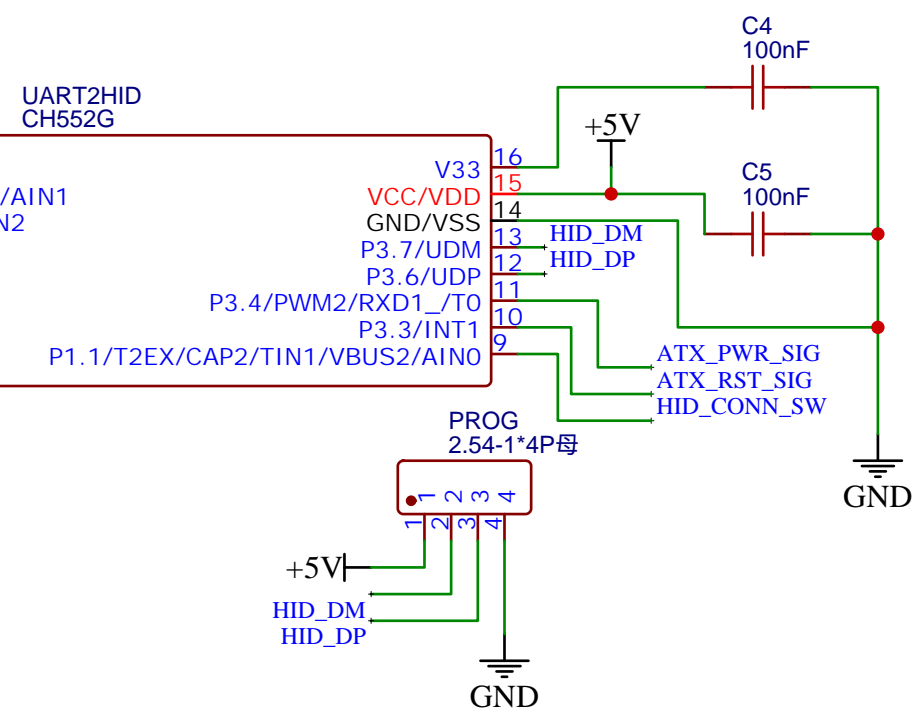
Power Ripple Filter



USB to UART
for KVM SBC sending ctrl-signal to KVM

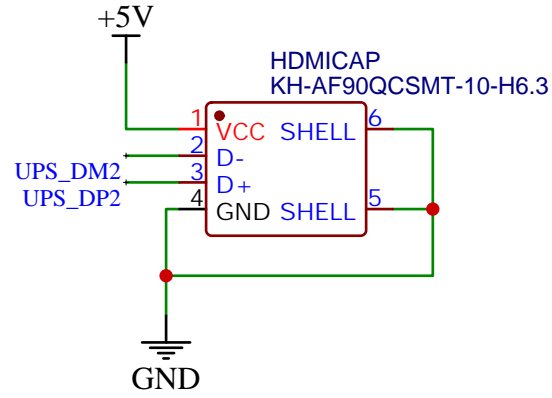


UART to HID
Converting KVM software signal to HID commands



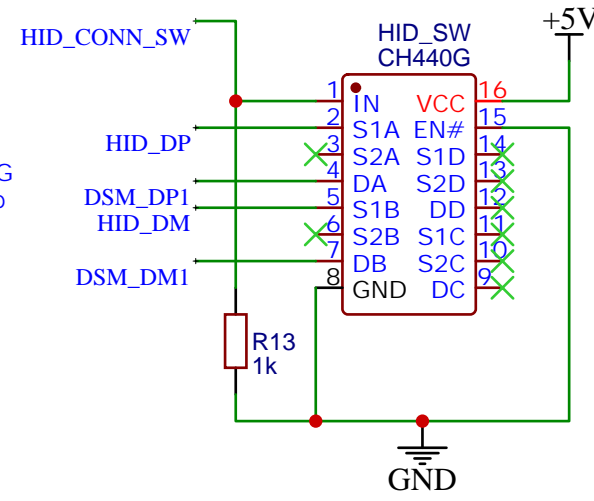
TITLE: KVM Hub		REV: 1.0
EasyEDA	Company: RemdesKVM	Sheet: 1/1
	Date: 2025-02-18	Drawn By: tobychui

USB HDMI Capture Card
Connect MS2109 USB Capture Device



USB HID Downstream Switch

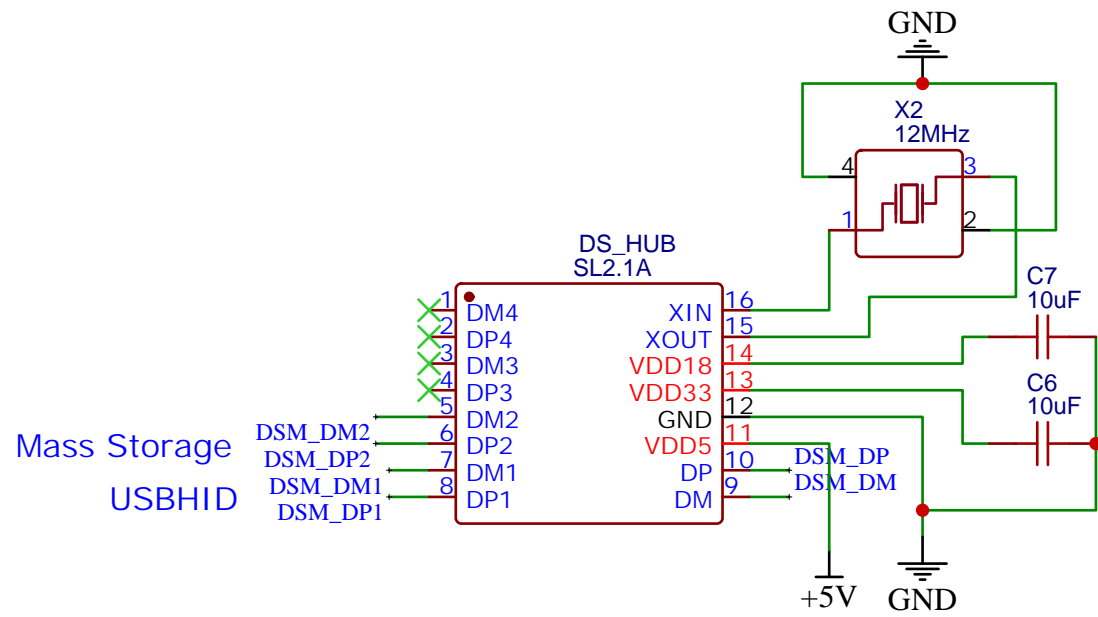
Use for remote plug & unplug for BIOS / UEFI



HID_DP/DP from CH552G
DSM_DP/DM from DSM USB Hub

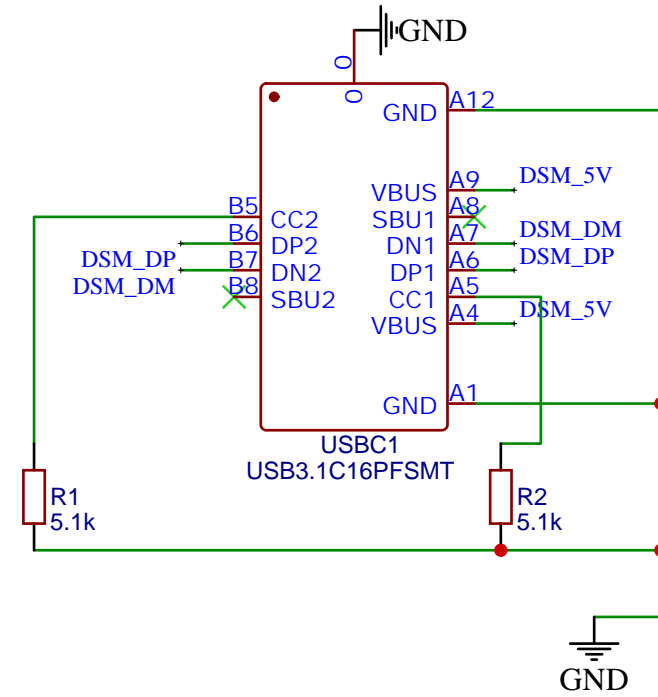
Guest USB Hub

The port connecting to the KVM controlled PC running like Windows



Guest USB Port

USB device mode for guest system (e.g. PC)

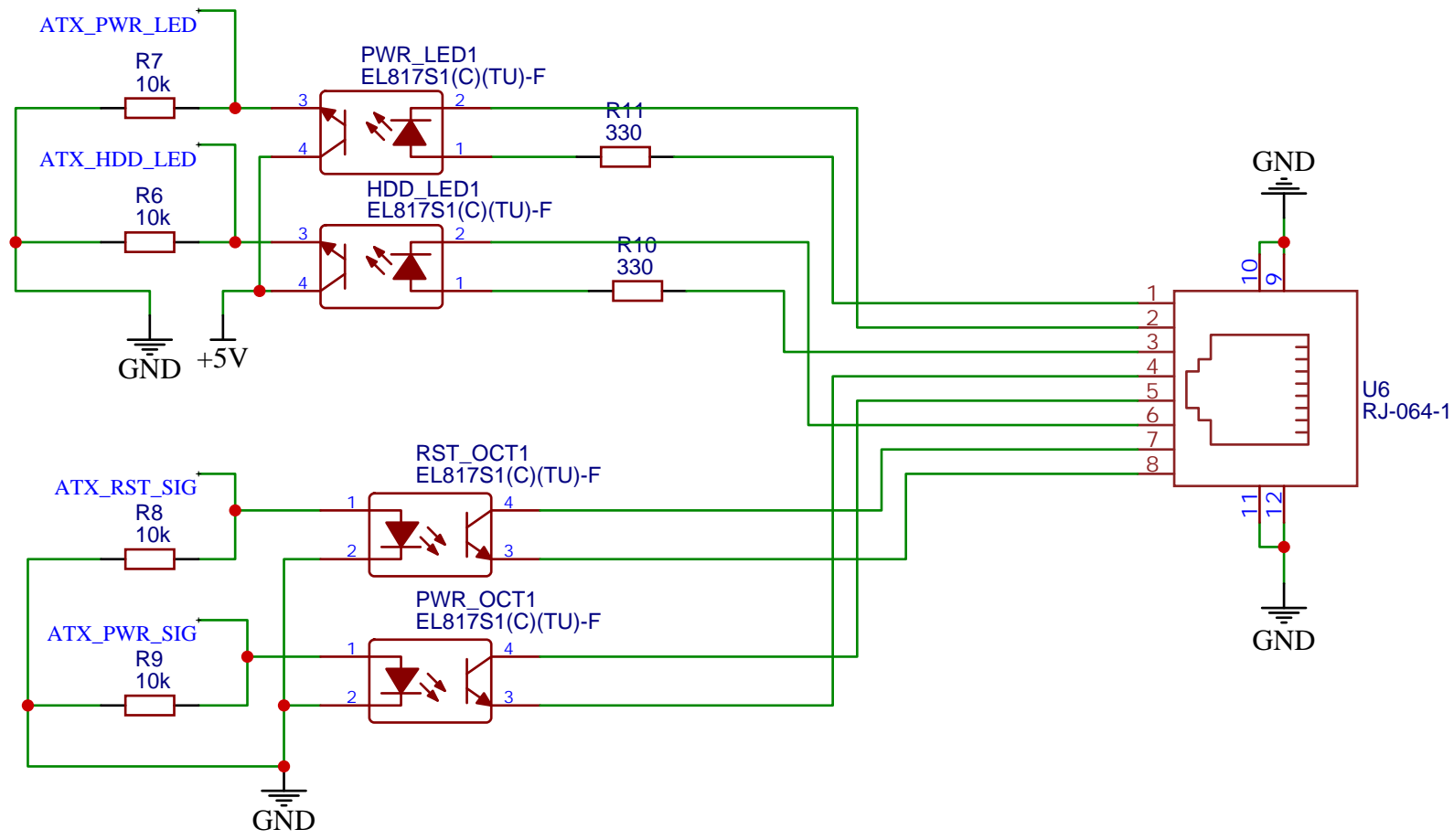


TITLE: Guest Side		REV: 1.0
EasyEDA	Company: imuslab	Sheet: 1/1
	Date: 2025-02-20	Drawn By: tobychui

ATX Power Control

Notes: ATX_PWR_LED and ATX_HDD_LED default to LOW, active HIGH

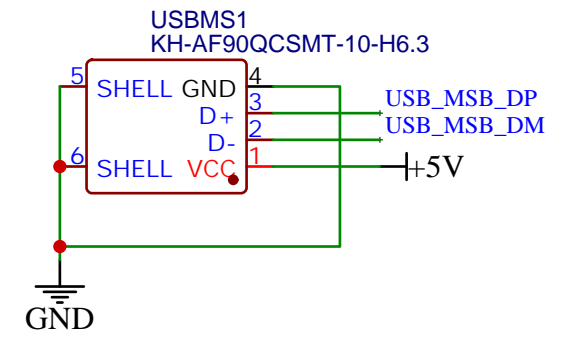
This design should be compatible with PiKVM ATX Board Pinsout (Not Tested)



TITLE: ATX Power Control		REV: 1.0
EasyEDA	Company: imuslab	Sheet: 1/1
	Date: 2025-03-30	Drawn By: tobychui

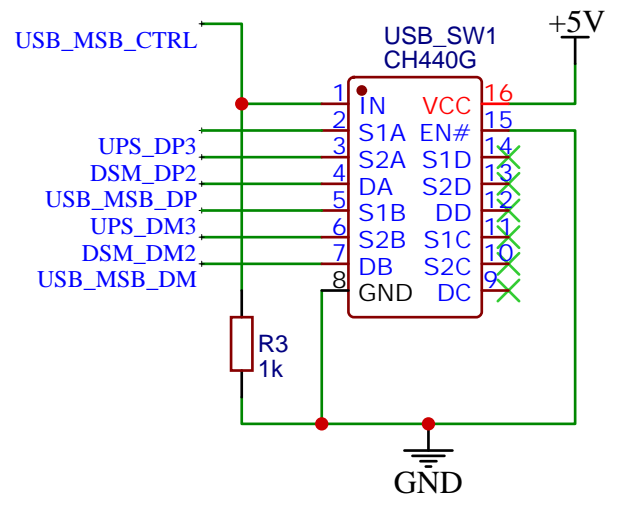
USB Mass Storage Port

For USB drive or other user required USB hardware



USB Mass Storage Switching Bus

Default to upstream (KVM Host), set IN to HIGH to switch over to downstream (computer being controlled)



TITLE: USB Mass Storage		REV: 1.0
	Company: imuslab	Sheet: 1/1
	Date: 2025-03-30	Drawn By: tobychui